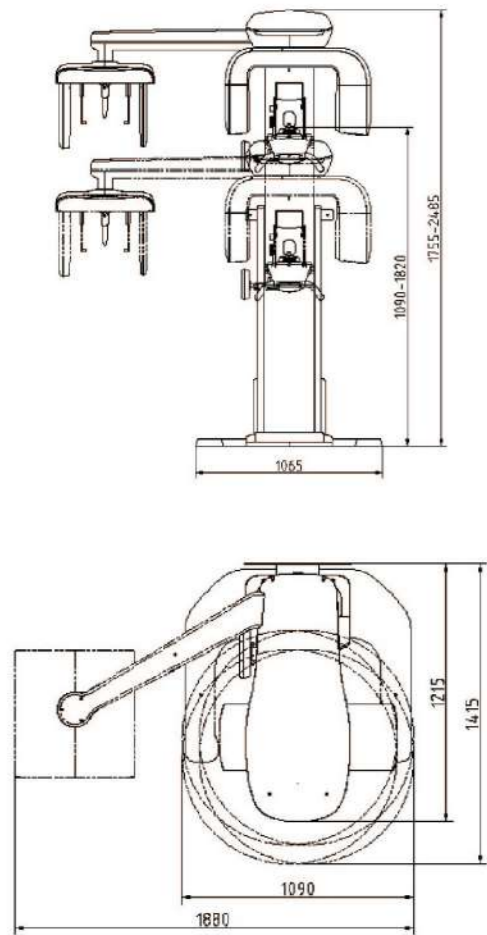


TECHNICAL SPECIFICATIONS

Model	SS-X9010DPro-2DE	SS-X9010DPro-2D
Function	Pano & Ceph	Pano
Net Weight	260 KG	220 KG
Voltage	AC230V±10%	
Frequency	50Hz~60Hz±1Hz	
Focal Spot	0.5 x 0.5mm	
Total Filtration	2.7mmAL	
Tube Voltage	60~90kV	
Tube Current	2~10mA	
Power Supply	AC 220V 16A	
X-ray Exposure Time	Pano~17secs Ceph~12secs	



Meyer Intraoral Scanner
Designed for patient comfort and timely scan process



Meyer CAD System
Upgradable and robust software to simplify restoration design



Meyer CAM System
Precise and highly efficient five-axis cutting over a broad range of materials

Encountering more complicated diagnosis? You need a Meyer dental CBCT to fulfill more clinical needs. Visit our website for more info on dental CBCT.

MEYER HEFEI MEYER OPTOELECTRONIC TECHNOLOGY INC.



Address(manufacturing site)
No.668 Wangjiang West Road, Hefei High&New Tech Zone, Hefei, Anhui, P.R.China



Mailbox
sales@meyer-corp.com



Website
www.meyer-medical.net

The products illustrated in this brochure reflect knowledge at the time of printing. Meyer accepts no liability for any deviations from the illustrations including color, shape, print error or any other errors, and reserves all rights to make changes to the brochure at any time, or to discontinue the products described herein without notice or obligation. Contact local Meyer representative for the most updated information.

© 2021 Hefei Meyer. All rights reserved.



MEYER

Meyer Dental 2D Panoramic Device Pro 2D





ESSENTIAL FOR DENTISTS IN EVERYDAY PRACTICE

Meyer 2D panoramic device enables accurate diagnosis of diseases associated with the entire dentition. It provides dentists with high quality scan and high-resolution panoramic images.



HIGHLIGHTS

- Pano and ceph dual-sensor to provide more choices for better diagnosis.
- Advanced processing algorithms ensure high image quality and accuracy.
- Instant image reconstruction after scanning through the new generation imaging technology.
- Operate on your fingertip with intuitive operational interface. The neatly designed digital touch pad accommodates all settings required for operation.
- 3-point patient positioning for stability and simplicity. The patient is held where necessary to minimize movement during scanning. It sufficiently supports image capturing process as well as keeping positioning simple and comfortable.

FUNCTIONS



Pano

The HD panoramic image enables great performance in assisting clinical diagnosis of diseases related to the entire dentition, jaw and TMJs.



Ceph

It also allows ceph imaging to meet more clinical needs, including measurement of teeth, identification of maxillofacial fractures and orthodontic planning.

POWERFUL DIAGNOSTIC SOFTWARE

Versatile and user-friendly diagnostic software
The diagnostic software is independently developed by Meyer.
The DICOM 3.0 output format aligns with international standards.

