



Quality Creates Value Detail Makes Difference

## Mobile LED Dental Surgical light

### Shadowless

- Irradiation with LED cold light for a long time, the temperature on the doctor's head and wound is less than 2°C.
- Perfect shadow less effect helps doctor can see clearly the surgical field completely.
- 120mm deep cavity illumination for dentists seeing patients' oral clearly to avoid any surgical errors.
- German imported LED chips with high color reproduction.
- Smart touch control panel controls the LED lamp and camera system easily, fast and conveniently.
- Adjustable illumination and diameter of operating field meet to doctors' individual operation habits.
- Dischargeable sterilized handle can be sterilized in autoclave for more than 3000 times for the sterile environment.

### Option:

- Integrated battery for 8 hours continuous use.
- Integrated bracket, can be placed PC or HD recorder.



Parameter		
Surgical light	Illumination (Lux)	24000-120,000
	Color rendering index (Ra)	≥95
	Color temperature (Kelvin)	4300
	Lighting spot diameter (mm)	120-240
	Depth of illumination (mm)	1200
	Service life LED (H)	50,000
	Diameter of light head(mm)	400

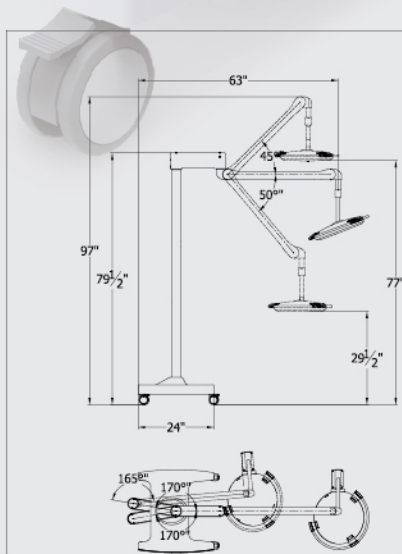
## Ceiling type LED Dental Surgical Light

### Convenience

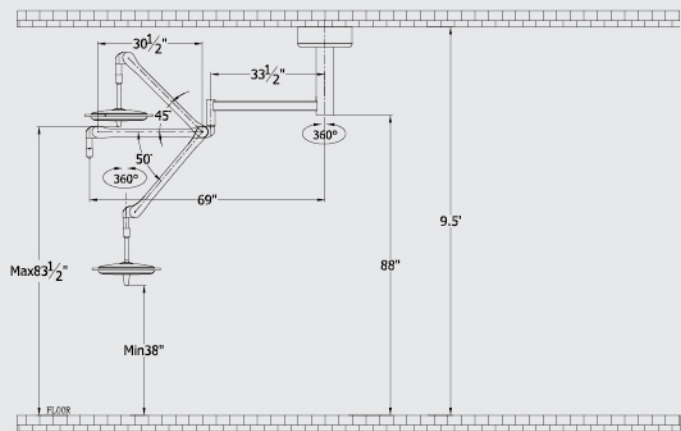
- External dental surgical lamp can avoid the lighting shake during the operation.
- The stable mobile base and flexible balanced arm ensure the lamp head reach any position to provide the perfect surgical lighting.
- Mute and smooth movement, easy lock.
- Ceiling supply unit swivel arm by a high-strength aluminum alloy extrusion molding, a surface oxide anti-rust treatment
- Reliable and flexible positioning and easy operation.
- Streamlined design sufficiently meets the high sterilization and purification standard of operation room



## Dimensions



Mobile Type - Dimensions



Ceiling type - Dimensions

**ajax** Guangzhou AJAX Medical Equipment Co., Ltd.

Add.: Building No.2, Dagang industrial zone, Shilou Town,  
Panyu District, Guangzhou, P.R. China 511447  
Tel : +86-020-84847938 Fax : +86-020-84847118  
www.ajaxdent.com sales@ajaxdent.com



[Http://www.ajaxdent.com](http://www.ajaxdent.com)

AJAX catalogue 2016 version 1.0  
2016 Ajax Medical Equipment Co., Ltd. All rights reserved.