



Products Catalog

**TRAUS**

# TRAUS SUS10

## Ultrasonic + Implant Dual Engine Stable and Powerful Output

This ultrasonic surgical equipment is designed for osteo plastic amputation and including dental implant surgery.



### HANDPIECE OPTION

Optic

TRAUS CRB26LX / CRB27LX

TRAUS MBP10SL



Non-Optic

TRAUS CRB26XX / CRB27XX

TRAUS MBP10SX

### PRODUCT SPECIFICATION

C/B

INPUT	AC100-120V, 220-240V
FUSE	5A / 2A
FREQUENCY	50/60 Hz
OUTPUT	48VA
MAXIMUM PUMP	Max.90 ± 20%ml
DIMENSIONS(MM)	W348 x D276 x H143
WEIGHT	3.6kg

H/P

	CRB26LX	CRB26XX	CRB27LX	CRB27XX
GEAR RATIO	20 : 1	20 : 1	32 : 1	32 : 1
WEIGHT	82g	84g	82g	84g
OPTIC	Optic	Non-Optic	Optic	Non-Optic
TORQUE	55Ncm	55Ncm	65Ncm	65Ncm

H/P: TRAUS PEZ10XX

WORKING FREQUENCY	27 ± 3KHz
ULTRASONIC OUTPUT	22 ± 3VA
WEIGHT	81g

# TRAUS SIP10

- BLDC motor with high performance designed by Saeshin's own high technology and know-how
- Gear ratio : 1:5, 1:4, 1:1, 16:1, 20:1, 27:1, 32:1, 64:1
- E-type motor : TRAUS MBP10SL(SX) followed "ISO3964" for standard connection(BLDC motor - 0~40,000rpm)
- 9 programs memory function
- Automatic overload protection function
- Indication of actual RPM and torque on operating for proper working condition
- Motor auto-calibration function
- Ergonomic foot controller
- Optic function : (Option)



## HANDPIECE OPTION

	TRAUS CRB26LX / CRB27LX		TRAUS MBP10SL
Optic		+	
Non-Optic		+	
	TRAUS CRB26XX / CRB27XX		TRAUS MBP10SX

## PRODUCT SPECIFICATION

C/B	
INPUT	AC100-120V, 220-240V
FUSE	5A / 2A
FREQUENCY	50/60 Hz
OUTPUT	Max : 120W
MAXIMUM PUMP	Max.90 ± 20%ml
DIMENSIONS(MM)	W233 x D269 x H120
WEIGHT	2.8kg

H/P				
	CRB26LX	CRB26XX	CRB27LX	CRB27XX
GEAR RATIO	20 : 1	20 : 1	32 : 1	32 : 1
WEIGHT	82g	84g	82g	84g
OPTIC	Optic	Non-Optic	Optic	Non-Optic
TORQUE	55Ncm	55Ncm	65Ncm	65Ncm

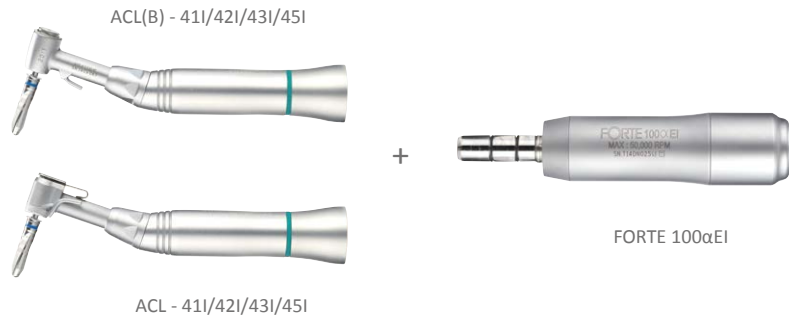


# X Implant CUBE

- BLDC motor (Speed Range 0~50,000rpm) and angle (Standard equipment 20:1) provides the optimum torque in surgery.
- Gear ratio : 1:5, 1:4, 1:1, 16:1, 20:1, 27:1, 32:1, 64:1
- 9 programmable memories for setting Speed, Torque, Rotating Direction Irrigation pump
- Automatic overload protection function
- Actual RPM display for user's working condition.
- Motor auto-calibration function
- Ergonomic foot control pedal
- Membrane touch display
- Self - diagnosis function



## HANDPIECE OPTION



## PRODUCT SPECIFICATION

### H/P

	ACL-41I	ACL-42I	ACL-43I	ACL-45I	ACL(B)-41I	ACL(B)-42I	ACL(B)-43I	ACL(B)-45I
GEAR RATIO	20 : 1	16 : 1	64 : 1	32 : 1	20 : 1	16 : 1	64 : 1	32 : 1
WEIGHT	60g	60g	64g	60g	60g	60g	64g	60g
TYPE	Lever	Lever	Lever	Lever	Button	Button	Button	Button
MAX.RPM	2,500	3,100	780	1,560	2,500	3,100	780	1,560
TORQUE	55Ncm	55Ncm	65Ncm	65Ncm	55Ncm	55Ncm	65Ncm	65Ncm

### C/B

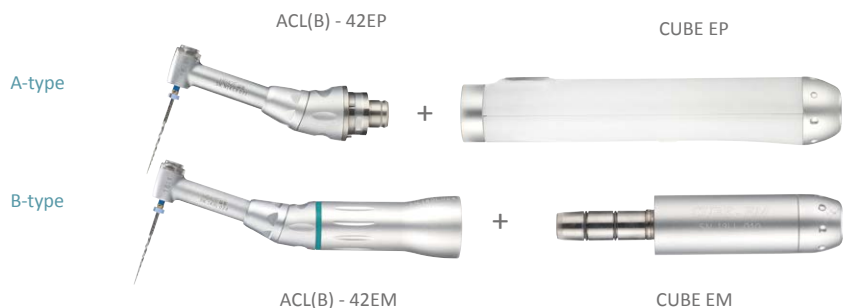
INPUT	AC100-120V, 220-240V
FUSE	5A / 2A
FREQUENCY	50/60 Hz
OUTPUT	Max : 230W
MAXIMUM PUMP	Max .75ml/min
DIMENSIONS(MM)	W205 x D210 x H136
WEIGHT	3.3kg

# e n d o CUBE

- Auto Reverse function
- Torque control from 0.6 to 5.2 N.cm
- Gear ratio : 1:1,4:1,10:1,16:1,20:1
- 9 programs
- Foot on/off switch
- Up to 5-hour battery life
- Compact designed controller including various function
- Stable torque supply
- Operation available with battery or adapter



## HANDPIECE OPTION



## PRODUCT SPECIFICATION

C/B	
INPUT	DC20V 1.5A
OUTPUT	DC6V
CHARGING TIME	approx.5hours
DIMENSIONS(MM)	W110 x D196 x H139
WEIGHT	582g

H/P			
	ACL(B) - 41EP	ACL(B) - 42EP	ACL(B) - 42EM
GEAR RATIO	20 : 1	16 : 1	16 : 1
WEIGHT	35g	35g	52g
DIMENSIONS(MM)	∅16.7 x L63mm	∅16.7 x L63mm	∅19.6 x L95.2mm
RPM	650	812	812
TORQUE	5.2Ncm	5.2Ncm	5.2Ncm

### MICRO MOTOR

	CUBE EM	CUBE EP
INPUT	DC6V	DC6V
DIMENSIONS(MM)	∅19.8 x L61.7mm	∅19.8 x L108mm
WEIGHT	116g	106g

# TRAUS ENDO

CORDLESS ENDO HANDPIECE

- Simple interface design for easy control
- No space-limitation for operation
- Optimized Design for user Interface.
- Ergonomic and compact body



<Endo mode>

- RPM: 100~600 RPM
- Torque: 1~4N.cm
- Gear Ratio: 16:1, 20:1
- Rotation Mode: 1, 2

<Program function>

- 5 memory programs of (Gear Ratio, Torque, RPM, Direction mode) are available to set.

<Setting torque limit function>

- Once actual load on the file is higher than preset torque, it stops working automatically.

<Rotation mode>

- Users can choose Auto-rotation mode according to operation condition.

Mode 1: Once actual torque is over the preset torque, the file moves in reverse rotation. After removing the load, it stops.

Mode 2: Once actual torque is over the preset torque, the file runs reverse automatically and it turns forward rotation again once load released.

<Auto-OFF function>

- Power is off with “Beep” sound after 4 minutes without operation.

## PRODUCT SPECIFICATION

### Charger (TRAUS XEW10)

RATED VOLTAGE	AC100-240V 50/60Hz
OUTPUT	DC4V
CHARGING TIME	approx.2.5hours

### Motor Handpiece(TRAUS MCE10XX)

RATED VOLTAGE	DC4V
---------------	------

### ANGLE

	ACL(B) - 41EP	ACL(B) - 42EP
GEAR RATIO	20 : 1	16 : 1
WEIGHT	35g	35g

### RPM and Torque value at Gear Ratio 20:1

- RPM: min. 100rpm ~ max. 600rpm
- Torque (Ncm): min. 1Ncm ~ max. 4Ncm
- Using time is depends on operating condition.

Air Motor

▶ TRAUS MRD10NN


- Non-return valve designed in coupling functions specially not to flow the oral fluids backward from the patient's mouth to the handpiece.
- The special coating for impella case provides high durability decreasing the wear
- The airmotor is autoclavable.
- The special coating on impeller case brings great durability.

Drive Air[MPa(kgf/cm <sup>2</sup> )]	Speed[min <sup>-1</sup> (rpm)]	Air Consumption[NL/min]
0.25 (2.5)	20,000	42
0.3 (3.0)	22,000	51




Brushless E-Type sealed motor

- Optic function : (Option) 40K BLDC MOTOR (TRAUS MBP10SL)
- Brushless E-type motor with 50,000rpm (TRAUS series : 40,000rpm)
- Quite and strong torque
- Available for various angles in accordance with ISO standard
- Sealed type for water-proof during the sterilization
- The fixing pin helps the exact fitting between the E-type motor and angle handpiece without movement.

▶ TRAUS MBP10SL (40K) - Optic  134°C

▶ TRAUS MBP10SX (40K)  134°C

▶ FORTE 100αEI (50K)  134°C



Carbon Brush E-Type sealed motor

▶ STRONG 108EI (40K)



Carbon Brush E-Type motor

- Available for various angles in accordance with ISO standard

▶ STRONG 108NE (40K)



▶ STRONG 108E (35K)

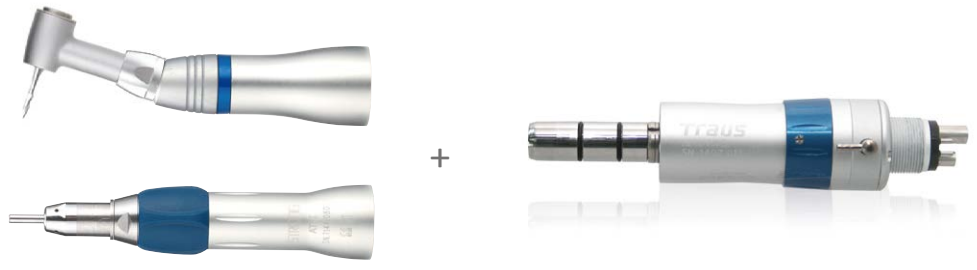


1:1 Straight & Contra angle

AT-I	AT-II	ACL(B)-03C	ACL(B)-01C	ACL-01C	ACL-02C	ACL(B)-03F
						
<ul style="list-style-type: none"> <li>• Straight angle</li> <li>• Max 35,000rpm</li> <li>• Ergonomic Design</li> <li>• Autoclavable</li> <li>• HP Bur( <math>\varnothing</math> 2.35)</li> </ul>		<ul style="list-style-type: none"> <li>• Button type</li> <li>• Max 35,000rpm</li> <li>• Ergonomic Design</li> <li>• Autoclavable</li> <li>• CA Bur( <math>\varnothing</math> 2.35)</li> </ul>		<ul style="list-style-type: none"> <li>• Lever type</li> <li>• Max 30,000rpm</li> <li>• Ergonomic Design</li> <li>• Autoclavable</li> <li>• CA Bur( <math>\varnothing</math> 2.35)</li> </ul>		<ul style="list-style-type: none"> <li>• Button type</li> <li>• Max 35,000rpm</li> <li>• Ergonomic Design</li> <li>• Autoclavable</li> <li>• FG Bur( <math>\varnothing</math> 1.6)</li> </ul>

Air Motor + 3Package

▶ TRAU MRD10NN + ACL(B)-01C + AT-I



Portable Package

